



# KORALP REMOTELY CONTROLLED LIGHT WEAPON STATION



[www.best-grup.com](http://www.best-grup.com)

## GENERAL FEATURES

- Advanced remote control system
- Artificial intelligence supported target detection
- Automatic target tracking
- Shooting at moving targets
- Shot on the move with stabilization
- Computer based ballistic calculation and fire control
- Day and night vision capability
- Ability to find distance with a laser
- Manual use in emergencies
- Ballistic protection
- Optional wireless command facility
- Low silhouette and lightness
- Compliance with MIL-STD-461E for EMI / EMC
- Compliance with MIL-STD-810 for environmental conditions
- Fired bullets counter
- Last ammunition alert

## PROTECTION

### BR6

DIN EN 1063: 2000-01 TS EN 1522/1523

- 7.62x51 mm FJ/PB/SC NATO (B6)

### BR7 (Optional)

DIN EN 1063: 2000-01 TS EN 1522/1523

- 7.62x51 mm FJ/PB/HC1 NATO AP (B7)

## LOGISTICS

- Low operating cost
- Low lifecycle cost
- User-friendly digital manuals

# 7.62mm with KORALP

## Weapon Options

- 7.62mm FN MAG58 or M240 Machine Gun

## Weight and Dimensions

- **Weight:** 100 ± 5 kg (without gun and ammo)
- **Inner Units:** <40Kg
- **Height:** <52cm

## Movement Limits

- **Tilt:** -30 ° / 60 °
- **Pan:** n x 360 °
- **Max Rotation Speed:** Pan / Tilt: 90°/s
- **Maximum Acceleration:** Pan / Tilt: 300° / sec<sup>2</sup>
- **Operating Voltage:** 24 VDC (20 - 32 VDC)
- **Operating Temperature:** -32° ~ + 55° C

## Ammunition Capacity

- <400 pcs - 7.62mm

## Thermal Camera

- **Uncooled**
- **Spectral Range:** 8-12 μm
- **Pixel Resolution:** 640 x 480

## Daylight Camera

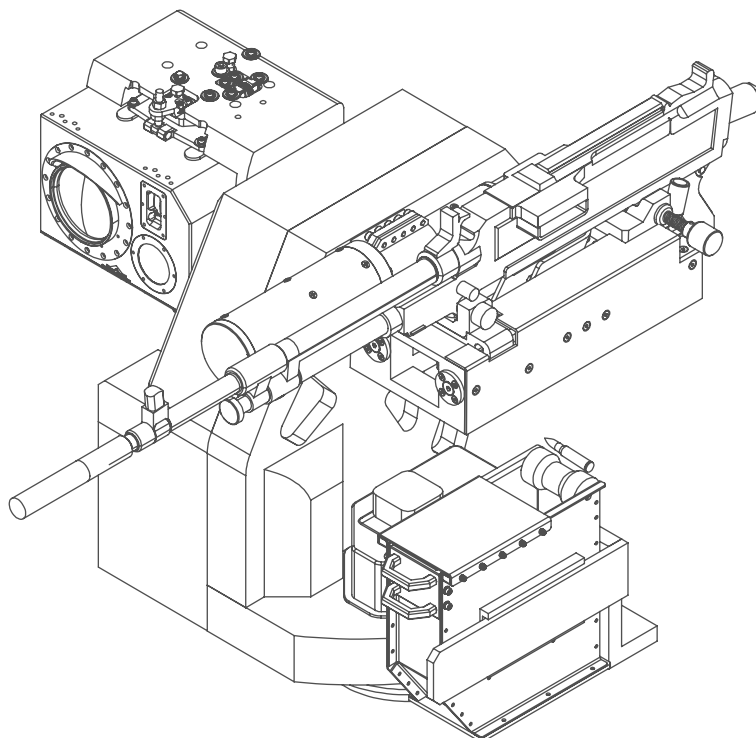
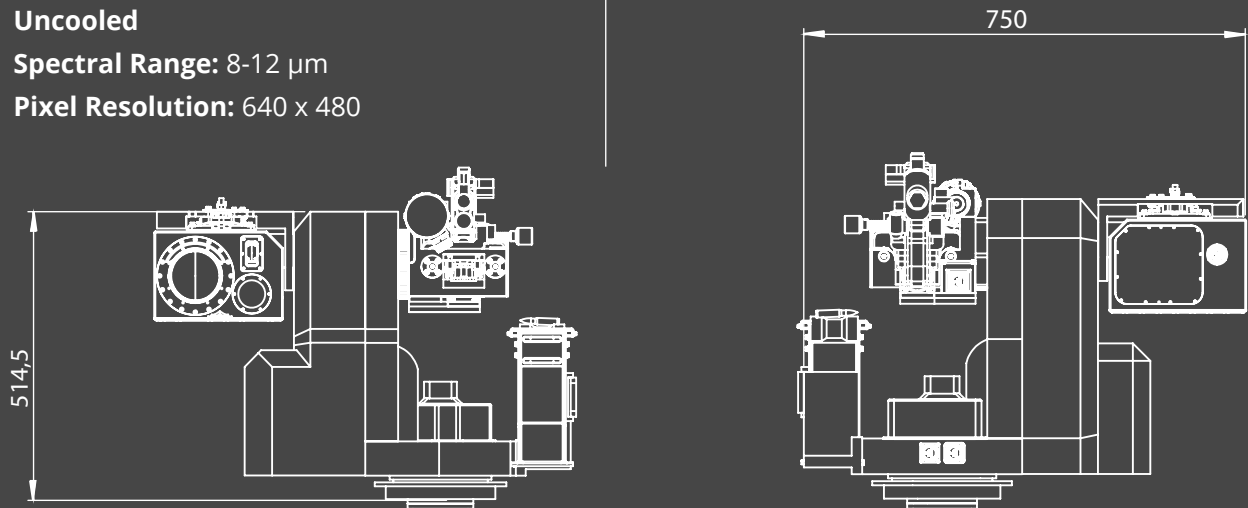
- **Field of View: Narrow:** 2 ° - Wide: 63.7°
- **Lens:** 30x optical zoom
- **Image Sensor:** Exmor CMOS (1080p)

## Laser Distance Meter

- **Eye safety:** Class 1, eye safe
- **Wavelength (nm):** 1550 ± 20 nm
- **Maximum Measuring Range:** 12000 m (NATO Target performance 5100m)

## Command and Control

- **Monitor:** 13.3 "high brightness
- **Resolution:** 1920 x 1080
- **Dimensions:** (W X H X D): 382 x 312 x 114 mm
- **Operating Voltage:** 24 VDC (20 - 32 VDC)



ERGONOMIC  
STRUCTURE